

HX360L/HX400L

CRAWLER EXCAVATOR



Gross Power

227 kW (304 hp) - 254 kW (340 hp) at 1800 rpm

Bucket Capacity

1.81 - 2.03 m³

Operating Weight

36160 - 41840 kg

HYUNDAI

THE NEXT LEVEL

Hyundai Next Generation crawler excavators are quite simply, above and beyond. Equipped with advanced electrohydraulic control systems, the HX360L and HX400L models achieve a minimum of 25% increase in productivity. Next Generation features and smart technologies make these new machines easier to maintain with lower total cost of ownership. Two 12.8-inch full HD touch screens and electric joystick steering make for productive operating, while a 6-camera system and radar offer an unobstructed 360° view for added safety.



NEXT LEVEL EFFICIENCY

The HX360L and the HX400L are the pinnacle of efficiency in the industry. Their new FEH (Fully Electrohydraulic) system improves fuel consumption by controlling flow rate via an EPOS (Electric Power Optimising System). And because everything from the joysticks to pump are electric, there is no hydraulic loss as in a normal system. So, on top of using less fuel, the machines have faster and more precise control.

New Hyundai Stage 5 engine

Our new robust engine uses high strength steel with heat and wear resistant material. It consumes up to 7% less fuel vs our A Series machines, and 30% less AdBlue. It also benefits from long maintenance intervals: 1,000-hour filter and oil and DPF ash cleaning over 8,000 hours.



Large capacity bucket & arms

Enhance your digging power with our 2.32m³ large capacity bucket in combination with a 2.9m arm. Perfect for heavy-duty tasks, our excavators ensure you get the job done faster and more effectively.

Automatic weighing function

Our next-generation excavators feature an advanced weighing function that automatically measures the material weight inside the bucket. This allows for precise calculation of truck loads and material volumes on-site, enhancing efficiency and accuracy in your operations.

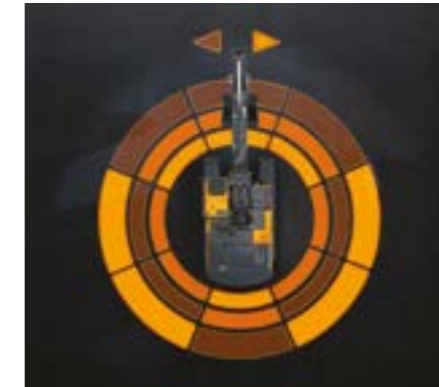


E-boundary

The E-boundary setting can be used to set ceiling, floor and wall limits, which all help to increase productivity and provide greater safety.

Machine guidance

2D MG/MC (Machine Guidance / Control) bucket assist ensures the bucket angle can be automatically stable, preventing soil spillage, while swing assist and grade control allow a swing angle limit to be set, preventing collision with buildings or endangering pedestrians.



Lift Assist

Lift Assist provides operators with a visual guide divided into four quadrants, indicating safe zones for moving a load during lifting. This helps prevent overloading and ensures stability. Lift Assist Pro provides additional information with the working zone split into 8 areas.



NEXT LEVEL COMFORT

Our Next Generation excavators set new standards in operator comfort thanks to the new improved controllability and customisability brought about by the FEH (Fully Electrohydraulic) system. On top of the superior control and comfort, the advanced infotainment system with cutting-edge convenience technology completes the efficient working experience and along with many other new features, provides the perfect cab environment.



◀ Separate driving pedal

Unlock a new level of convenience with the smart key. Easily locate your machine with the search function and activate the coming/ leaving home light for added safety. Effortlessly control access and start the engine with the touch of a button.

Digital key **OPTION**

This new option allows the engine to be started and the cabin to be opened and closed from a smart phone, improving user friendliness and comfort even more. The Digital Key can be shared across 6 different users.



◀ Attention to detail

New lighting and an easy to clean luxury floor mat add sophistication to the machine interior. A cab welcome light helps operators access and exit the cab safely in poor light conditions.



▶ High resolution monitors

2 new FHD-grade 12.8" high resolution monitors display different functions and allow the operator to personalise the information shown.

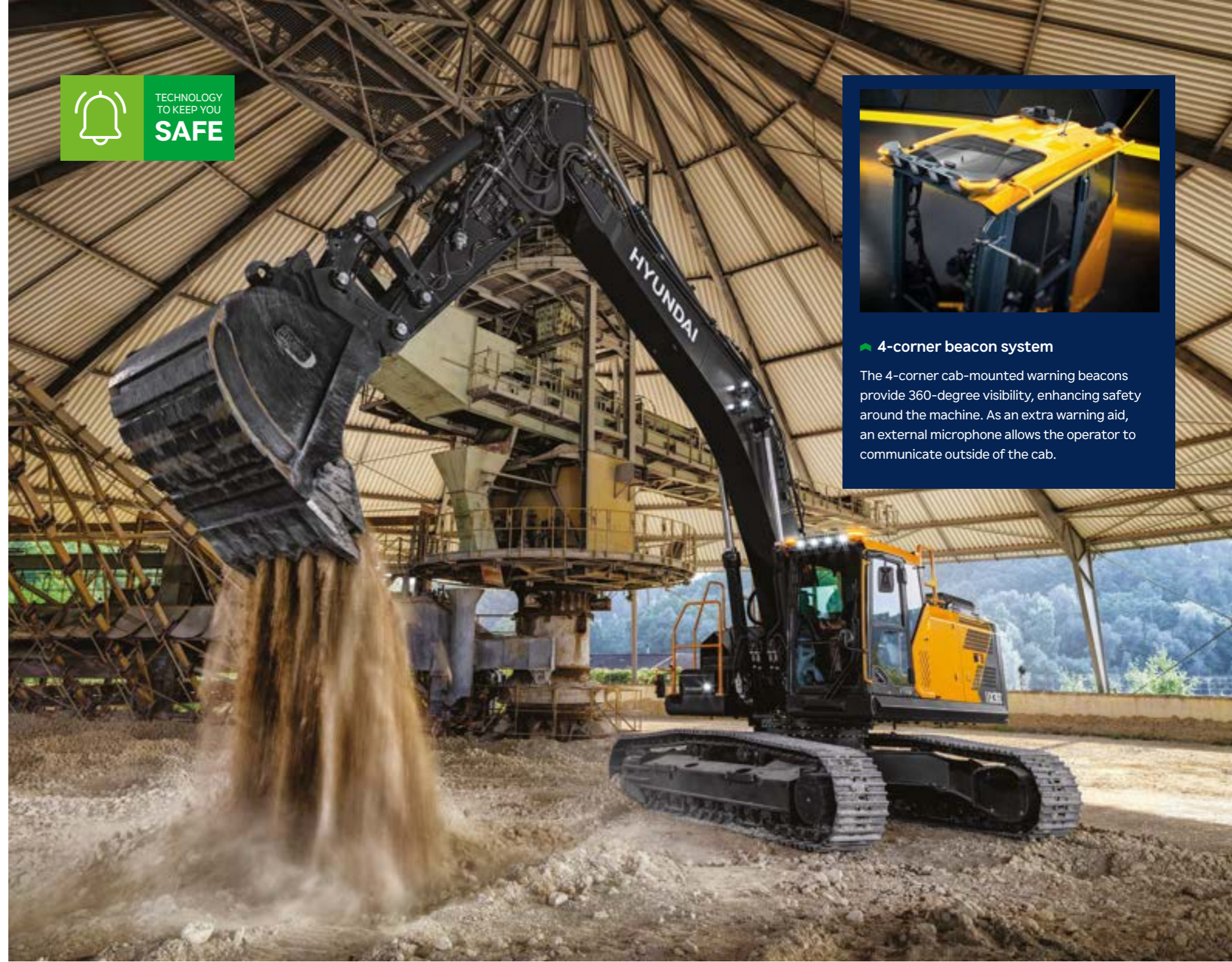


▶ Comfort pack

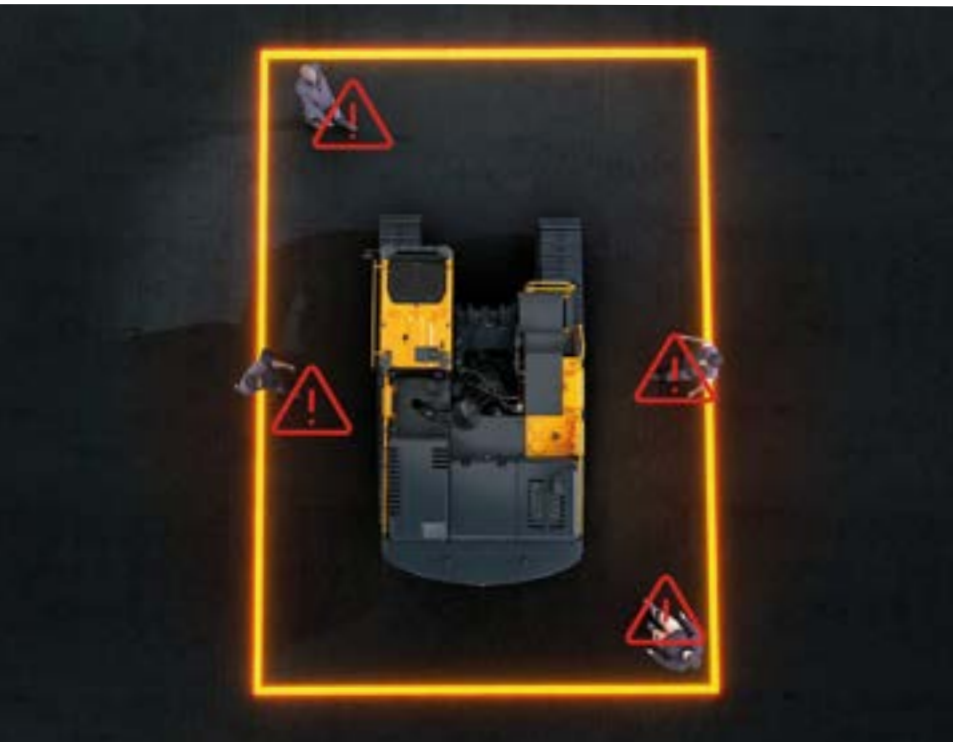
With prestige cab branding, the comfort package gives you a premium seat, multi-channel speakers and luxury mat. Convenient left and right stick steering (standard on both machines), allows forward/backward operation and left/right turn driving. Improved lever operability and the electronic hydraulic system help optimise performance and increase safety.

NEXT LEVEL SAFETY

Hyundai Construction Equipment has set new levels in operator and site safety with an abundance of new technologies. These include: E-boundary, Remote control, SAVM (Smart Around View Monitor), radar object detections and many other important measures. This is all on top of the existing industry leading visibility, visual and auditory support technologies and first-class cluster information.

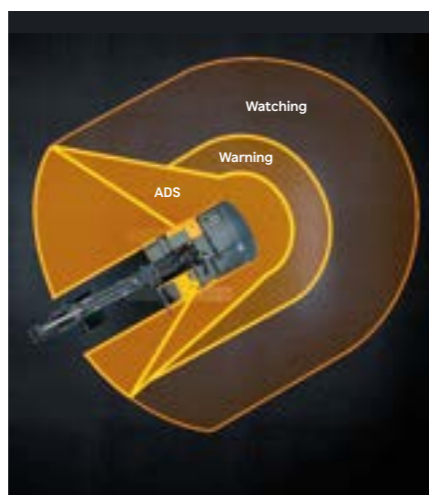


4-corner beacon system
The 4-corner cab-mounted warning beacons provide 360-degree visibility, enhancing safety around the machine. As an extra warning aid, an external microphone allows the operator to communicate outside of the cab.



SAVM (Smart Around View Monitor)

This innovative feature uses 6 cameras located around the machine, including 3 embedded in the counterweight. Using AI, the system automatically detects human presence during machine operation to inform the driver. Images are checked on the 12.8-inch high resolution screen.

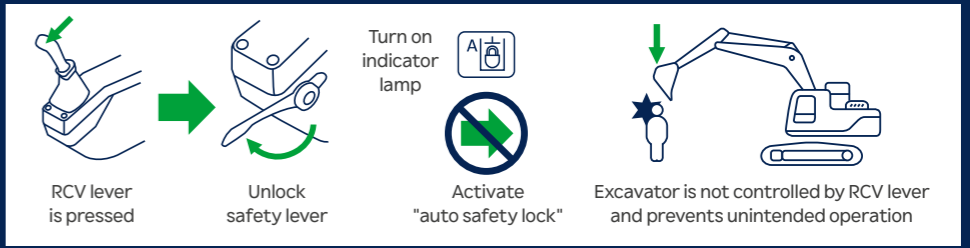


ADS (Advanced Detection System)

The Advanced Detection System automatically stops the machine when danger arises. If an object enters the warning zone, the system slows or stops the machine, alerting the operator in advance.

Activate Auto Safety Check

The Auto Safety Lock prevents unintended operation due to the excavator not being controlled solely by the RCV lever.



NEXT LEVEL SERVICEABILITY

Hyundai construction machines already have some of the highest levels of serviceability in the industry, but the HX360L and HX400L take them a step further. On top of greater machine and component durability with less maintenance needs and greater servicing accessibility, new Hyundai technologies further improve machine monitoring to keep you informed about machine health and improve serviceability.

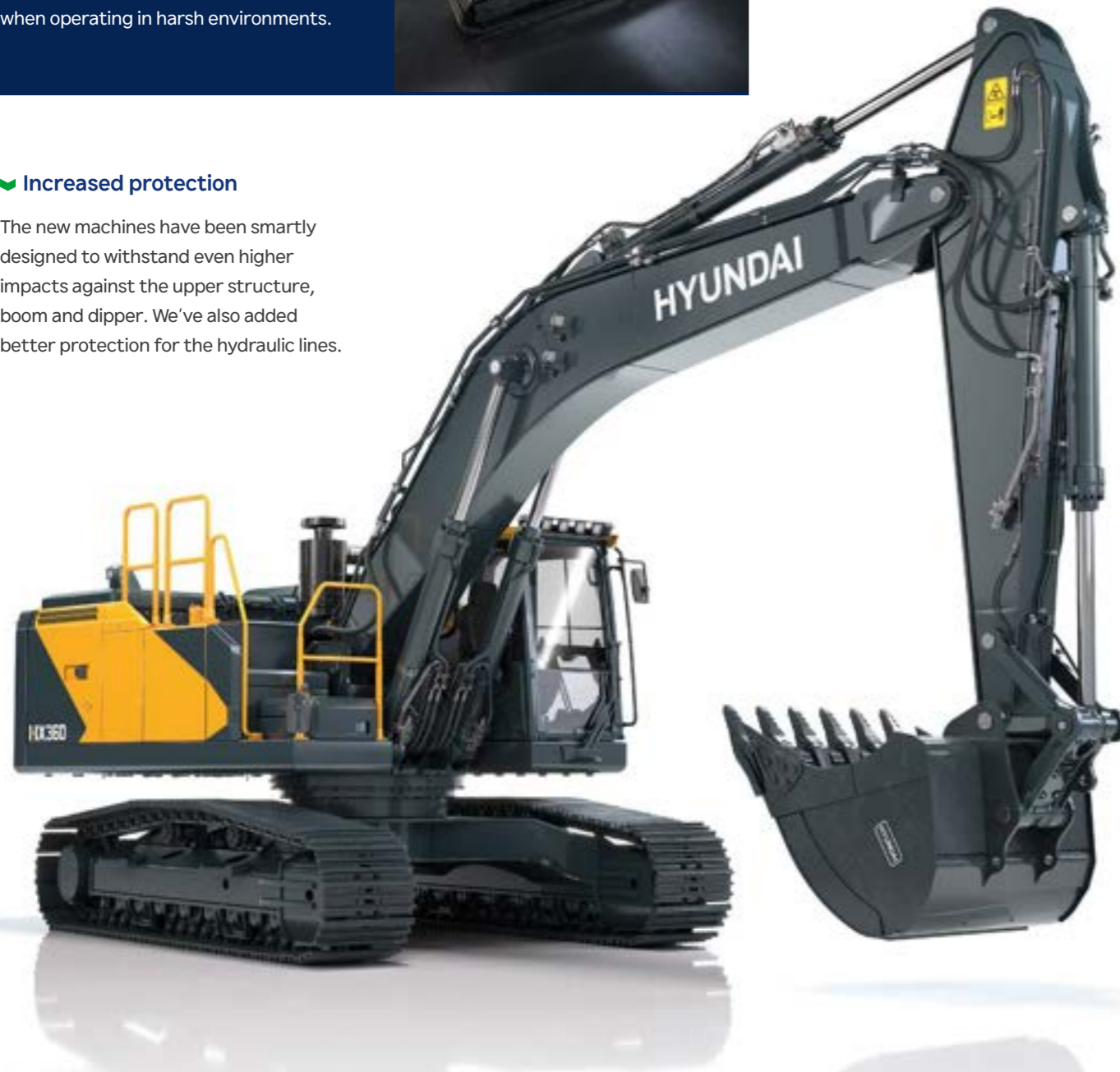
Robust design

The strong upper and lower structure can withstand external impacts and high-load work. Optional double or full track guards give additional protection when operating in harsh environments.



Increased protection

The new machines have been smartly designed to withstand even higher impacts against the upper structure, boom and dipper. We've also added better protection for the hydraulic lines.



Reversible fan

The reversing fan keeps the cooling package clean of debris ensuring optimum cooling performance.

Improved low temperature start-up

The support system heats the coolant with an electric heating wire inside the engine via an external power source to increase the internal temperature of the engine, thereby assisting start-up in extremely low-temperature environments.



Hi MATE

Hi MATE's real-time information allows easy and convenient remote machine monitoring via the Hi MATE website or mobile app.

Increased productivity

By providing information such as usage and maintenance notification reports, Hi MATE saves time and money by enabling you to plan ahead.

Improved security

To protect your equipment from theft or unauthorised usage, Hi MATE's geofencing alerts notify you automatically when a machine leaves a predetermined zone.

EHM (Equipment Health Monitoring)

This new technology enables real-time monitoring of equipment conditions and predicts potential failures to optimise maintenance and operational efficiency.



PROCARE. MORE CARE FOR YOU AND YOUR MACHINE.

ProCare, Hyundai's tailored maintenance packages work proactively via Hi-MATE by automatically delivering service kits directly to dealers before any service is due. This gives you peace of mind knowing that your machine will be serviced on time, with genuine parts and with no extra costs or inflationary increases. Choose the tailored maintenance packaged best suited for your needs.



TAILORED MAINTENANCE PACKAGES

MainCare

Stay ahead on service with Hyundai MainCare

MainCare keeps you ahead of maintenance with predictable costs and zero hassle:

- Lock in your filter costs for up to 4 years or 5,000 hours – no surprises, just smooth running.
- Oil sampling at 1,000 hours helps catch issues early and extend component life.
- Your dealer contacts you when service is due – no chasing, no delays.
- Filters always in stock – ready when you are.
- You choose: service it yourself or let your dealer handle it.

FullCare

Complete coverage and confidence with Hyundai FullCare

Everything you get with MainCare, plus up to 4 years extended warranty at discounted price – for complete coverage and confidence:

- Fixed filter costs.
- Proactive service reminders.
- Oil sampling with expert reports.
- Guaranteed parts availability.
- Extended warranty up to 4 years

KEY BENEFITS



Automatically delivered filter kits



Oil sampling every 1,000 hours



Fixed prices invoiced upfront



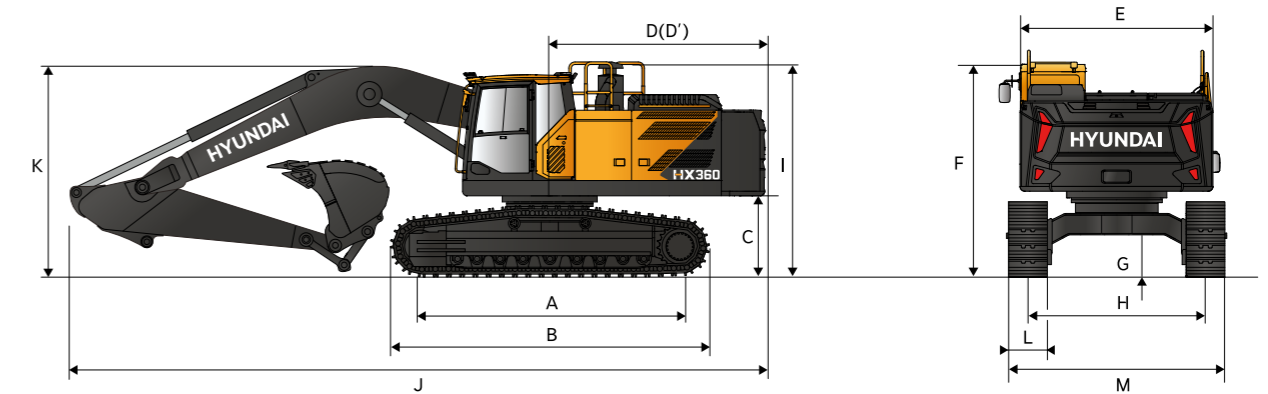
Uptime Centre and dealer support



HX360 L/HX400 L SPECIFICATIONS

SPECIFICATIONS	HX360L	HX400L	
ENGINE			
Maker / Model	Hyundai / DX08	Hyundai / DX08	
Type	6 cylinder water cooled 4-cycle turbocharged charge air cooled direct injection electronic controlled diesel engine.		
Gross Power	227 kW (304 hp) at 1800 rpm	254 kW (340 hp) at 1800 rpm	
Net Power	221 kW (296 hp) at 1800 rpm	248 kW (333 hp) at 1800 rpm	
Max. Power	227 kW (304 hp) at 1800 rpm	254 kW (340 hp) at 1800 rpm	
Peak Torque	1230 Nm at 1200 rpm	1460 Nm at 1300 rpm	
Displacement	75 l		
HYDRAULIC SYSTEM			
Type	Variable displacement tandem axis piston pumps		
Max. Flow	2 x 350 lpm		
Rated speed	1800 rpm		
Cross-sensing and fuel saving pump system			
HYDRAULIC MOTORS			
Travel	Variable displacement axial piston motor		
Swing	Axial piston motor		
RELIEF VALVE SETTING			
Maximum pressure	350 kgf/cm ²		
Maximum pressure (power boost)	370 kgf/cm ²		
UNDERCARRIAGE			
Center frame	X - leg type		
Track frame	Pentagonal box type		
No. of shoes on each side	48 EA	50 EA	
No. of carrier roller on each side	2 EA		
No. of track roller on each side	9 EA		
No. of rail guard on each side	3 EA		
OPERATING WEIGHT (APPROXIMATE)			
Operating weight including 6500 mm boom 3200 mm arm SAE heaped 2.03 m ³ bucket lubricant coolant full fuel tank full hydraulic tank and all standard equipments.			
OPERATING WEIGHT			
Shoes Type	Operating weight / Ground pressure	Operating weight / Ground pressure	
Triple grouser	600 (standard lower frame)	36390 kg / 0.70 kgf/cm ²	40360 kg / 0.74 kgf/cm ²
	600 (narrow lower frame)	36160 kg / 0.70 kgf/cm ²	40290 kg / 0.74 kgf/cm ²
	700	36740 kg / 0.61 kgf/cm ²	40850 kg / 0.64 kgf/cm ²
	800	37090 kg / 0.53 kgf/cm ²	41340 kg / 0.57 kgf/cm ²
Double grouser	900	37510 kg / 0.48 kgf/cm ²	41840 kg / 0.51 kgf/cm ²
	600	36880 kg / 0.71 kgf/cm ²	40440 kg / 0.74 kgf/cm ²
AIR CONDITIONING			
The air conditioning system contains fluorinated greenhouse gas refrigerant R134a (Global Warming Potential = 1430). The system contains 0.80 kg of refrigerant representing a CO2 equivalent of 1.14 metric tonnes.			

HX360 L/HX400 L DIMENSIONS



HX360L

Unit : mm

A	Tumbler Distance	4040					
B	Overall Length of Crawler	4958					
*C	Ground Clearance of Counter Weight	1198.5					
D	Tail Swing Radius	3530					
D'	Rear-End Length	3520					
E	Overall Width of Upper Structure	2990					
*F	Overall Height of Cab	3280					
G	Min. Ground Clearance	505					
H	Track gauge	Standard lower frame				2680	
		Narrow lower frame				2400	
*I	Overall Height Guardrail	3390					
Boom Length		6200	6500			2-piece boom	
Arm Length		2600	2600	3200	3950	2600	3200 3950
J	Overall Length	11100	11400	11310	11340	11330	11330 11280
*K	Overall Height of Boom	3790	3680	3460	3620	3560	3510 3950

	Narrow Lower frame	Standard Lower frame				
L	Track Shoe Width	600	600	700	800	900
M	Overall Width w/o Additional Foot Board	3000	3280	3380	3480	3580

HX400L

Unit : mm

A	Tumbler Distance	4230					
B	Overall Length of Crawler	5184					
*C	Ground Clearance of Counter Weight	1313					
D	Tail Swing Radius	3530					
D'	Rear-End Length	3520					
E	Overall Width of Upper Structure	2990					
*F	Overall Height of Cab	3390					
G	Min. Ground Clearance	637					
H	Track gauge	Standard lower frame				2750	
		Narrow lower frame				2400	
*I	Overall Height Guardrail	3530					
Boom Length		6200	6500				
Arm Length		2600	2600	3200	3950		
J	Overall Length	11090	11390	11280	11280		
*K	Overall Height of Boom	3820	3700	3460	3530		

	Narrow Lower frame	Standard Lower frame				
L	Track Shoe Width	600	600	700	800	900
M	Overall Width w/o Additional Foot Board	3000	3350	3450	3550	3650

* This figure includes the size of grousers.

HX360 L/HX400 L WORKING RANGE

HX360 L

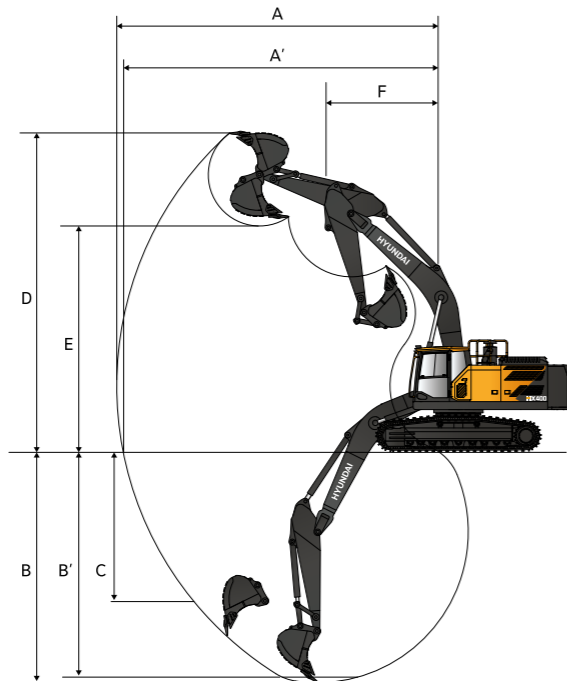
Unit : mm

Boom Length	6200		6500		2-piece boom		
Arm Length	2600	2600	3200	3950	2600	3200	3950
A Max. digging reach	10230	10530	11110	11870	10715	11320	12095
A' Max. digging reach on ground	10020	10325	10910	11690	10515	11135	11920
B Max. digging depth	6695	6910	7475	8265	6715	7325	8100
B' Max. digging depth (8' level)	6475	6990	7300	8130	6610	7230	8015
C Max. vertical wall digging depth	5025	5025	5780	6755	5250	5930	6730
D Max. digging height	9545	9825	10210	10675	11810	12350	13055
E Max. dumping height	6610	6885	7230	7655	8565	9085	9775
F Min. swing radius	4323	4485	4450	4515	3640	3440	3620

HX400 L

Unit : mm

Boom Length	6200		6500	
Arm Length	2600	2600	3200	3950
A Max. digging reach	9145	9945	11110	11870
A' Max. digging reach on ground	8960	9780	10890	11660
B Max. digging depth	5585	6500	7365	8110
B' Max. digging depth (8' level)	5360	6315	7145	7970
C Max. vertical wall digging depth	5070	5960	5800	6255
D Max. digging height	9370	9750	10320	10810
E Max. dumping height	6580	6990	7345	7810
F Min. swing radius	3715	3425	4450	4515



HX360 L/HX400 L DIGGING FORCE

DIGGING FORCE HX360L

Boom	Length	mm	6200		6500		2-piece boom		
Arm	Length	mm	2600	2600	3200	3950	2600	3200	3950
Bucket Digging Force	SAE	kN	219.5 (232.0)	219.5 (232.0)	219.5 (232.0)	219.5 (232.0)	219.5 (232.0)	219.5 (232.0)	219.5 (232.0)
		kgf	22370 (23600)	22370 (23600)	22370 (23600)	22370 (23600)	22370 (23600)	22370 (23600)	22370 (23600)
	ISO	kN	242.4 (256.3)	242.4 (256.3)	242.4 (256.3)	242.4 (256.3)	242.4 (256.3)	242.4 (256.3)	242.4 (256.3)
		kgf	24700 (26100)	24700 (26100)	24700 (26100)	24700 (26100)	24700 (26100)	24700 (26100)	24700 (26100)
Arm Crowd Force	SAE	kN	212.3 (224.4)	212.3 (224.4)	172.9 (182.8)	146.5 (154.9)	212.3 (224.4)	172.9 (182.8)	146.5 (154.9)
		kgf	21640 (22900)	21640 (22900)	17620 (18600)	14930 (15800)	21640 (22900)	17620 (18600)	14930 (15800)
	ISO	kN	217.7 (230.1)	217.7 (230.1)	176 (186.1)	149.1 (157.6)	217.7 (230.1)	176 (186.1)	149.1 (157.6)
		kgf	22180 (23400)	22180 (23400)	18000 (19000)	15190 (16100)	22180 (23400)	18000 (19000)	15190 (16100)

DIGGING FORCE HX400L

Boom	Length	mm	6200		6500	
Arm	Length	mm	2600	2600	3200	3950
Bucket Digging Force	SAE	kN	219.5 (232.0)	219.5 (232.0)	219.7 (232.3)	219.7 (232.4)
		kgf	22370 (23600)	22370 (23600)	22390 (23700)	22390 (23700)
	ISO	kN	245 (258.7)	245 (258.7)	245 (258.9)	245 (258.9)
		kgf	24940 (26400)	24940 (26400)	24960 (26400)	24960 (26400)
Arm Crowd Force	SAE	kN	212 (224.4)	212 (224.4)	173 (182.9)	147 (154.9)
		kgf	21640 (22900)	21640 (22900)	17630 (18600)	14930 (15800)
	ISO	kN	218 (230.1)	218 (230.1)	177 (186.8)	149 (157.6)
		kgf	22180 (23400)	22180 (23400)	18000 (19000)	15190 (16100)

HX360 L

LIFTING CAPACITY

Rating over-front Rating over-side or 360 degrees

HX360 L

6.5 m boom, 3.2 m arm equipped with 6539 kg counterweight and 600 mm triple grouser shoes

Lift-point height m		Lift-point radius												At max. Reach								
		1.5 m		3.0 m		4.5 m		6.0 m		7.5 m		9.0m		Capacity	Reach							
																m						
7.5m	kg														*8030	7660			*7800	7260	7.73	
6.0m	kg															*8160	7580			*7590	5980	8.60
4.5m	kg																					
3.0m	kg																					
1.5m	kg																					
0.0m	kg																					
-1.5m	kg																					
-3.0m	kg																					
-4.5m	kg																					

6.5 m boom, 2.6 m arm equipped with 6539 kg counterweight and 600 mm triple grouser shoes

Lift-point height m		Lift-point radius												At max. Reach								
		1.5 m		3.0 m		4.5 m		6.0 m		7.5 m		9.0m		Capacity	Reach							
																m						
7.5m	kg																					
6.0m	kg																					
4.5m	kg																					
3.0m	kg																					
1.5m	kg																					
0.0m	kg																					
-1.5m	kg																					
-3.0m	kg																					
-4.5m	kg																					

6.5 m boom, 3.95 m arm equipped with 6539 kg counterweight and 600 mm triple grouser shoes

Lift-point height m		Lift-point radius												At max. Reach								
		1.5 m		3.0 m		4.5 m		6.0 m		7.5 m		9.0m		Capacity	Reach							
																m						
9.0m	kg																					
7.5m	kg																					
6.0m	kg																					
4.5m	kg																					
3.0m	kg																					
1.5m	kg																					
0.0m	kg																					
-1.5m	kg																					
-3.0m	kg																					
-4.5m	kg																					
-6.0m	kg																					

- Lifting capacity is based on ISO 10567.
- Lifting capacity does not exceed 75% of tipping load with the machine on firm, level ground or 87% of full hydraulic capacity.
- The lift-point is where the bucket pivot mounting pin intersects with the arm (without bucket mass).
- (*) indicates load limited by hydraulic capacity.

HX360 L

LIFTING CAPACITY

Rating over-front Rating over-side or 360 degrees

HX360 L

6.2 m boom, 2.6 m arm equipped with 6539 kg counterweight and 600 mm triple grouser shoes

Lift-point height m		Lift-point radius												At max. Reach								
		1.5 m		3.0 m		4.5 m		6.0 m		7.5 m		9.0m		Capacity	Reach							
																m						
7.5m	kg																					
6.0m	kg																					
4.5m	kg																					
3.0m	kg																					
1.5m	kg																					
0.0m	kg																					
-1.5m	kg																					
-3.0m	kg																					
-4.5m	kg																					

2-piece boom, 3.2 m arm equipped with 6539 kg counterweight and 600 mm triple grouser shoes

Lift-point height m		Lift-point radius												At max. Reach								
		1.5 m		3.0 m		4.5 m		6.0 m		7.5 m		9.0m		Capacity	Reach							
																m						
10.5m																						
9.0m																						
7.5m	kg																					
6.0m	kg																					
4.5m	kg																					
3.0m	kg																					
1.5m	kg																					
0.0m	kg																					
-1.5m	kg																					
-3.0m	kg																					
-4.5m	kg																					

2-piece boom, 2.6 m arm equipped with 6539 kg counterweight and 600 mm triple grouser shoes

Lift-point height m		Lift-point radius												At max. Reach								
		1.5 m		3.0 m		4.5 m		6.0 m		7.5 m		9.0m		Capacity	Reach							
																m						
9.0m	kg																					
7.5m	kg																					
6.0m	kg																					
4.5m	kg																					
3.0m	kg																					
1.5m	kg																					
0.0m	kg																					
-1.5m	kg																					
-3.0m	kg																					

- Lifting capacity is based on ISO 10567.
- Lifting capacity does not exceed 75% of tipping load with the machine on firm, level ground or 87% of full hydraulic capacity.
- The lift-point is where the bucket pivot mounting pin intersects with the arm (without bucket mass).
- (*) indicates load limited by hydraulic capacity.

HX360 L LIFTING CAPACITY

Rating over-front Rating over-side or 360 degrees

HX360 L

6.5 m boom, 3.2 m arm equipped with 6539 kg counterweight and 600 mm triple grouser shoes

Lift-point height m		Lift-point radius												At max. Reach		
		1.5 m		3.0 m		4.5 m		6.0 m		7.5 m		9.0m		Capacity	Reach	
																m
7.5m	kg									*8030	7660			*7800	7260	7.73
6.0m	kg									*8160	7580			*7590	5980	8.60
4.5m	kg					*12570	*12570	*10060	*10060	*8780	7340	*8150	5450	*7670	5290	9.15
3.0m	kg					*15970	14890	*11670	9770	*9610	7030	8010	5310	7450	4930	9.42
1.5m	kg					*18380	13910	*13070	9250	10340	6740	7860	5170	7300	4800	9.45
0.0m	kg					*19140	13510	*13880	8920	10110	6540	7740	5060	7470	4890	9.23
-1.5m	kg			*13530	*13530	*18720	13440	*13940	8780	10000	6440			8040	5240	8.75
-3.0m	kg	*16330	*16330	*22040	*22040	*17310	13570	*13150	8820	10060	6490			9270	6020	7.95
-4.5m	kg			*19450	*19450	*14610	13910	11040	9060					*9340	7760	6.74

HX360 NL

6.52 m boom, 3.2 m arm equipped with 6539 kg counterweight and 600 mm triple grouser shoes

Lift-point height m		Lift-point radius												At max. Reach		
		1.5 m		3.0 m		4.5 m		6.0 m		7.5 m		9.0m		Capacity	Reach	
																m
7.5m	kg									*8030	6870			*7800	6500	7.73
6.0m	kg									*8160	6790			*7590	5340	8.60
4.5m	kg					*12570	*12570	*10060	9250	*8780	6550	8120	4850	*7670	4710	9.15
3.0m	kg					*15970	13030	*11670	8660	*9610	6250	7970	4710	7410	4370	9.42
1.5m	kg					*18380	12100	*13070	8150	10280	5970	7810	4570	7260	4240	9.45
0.0m	kg					*19140	11710	*13880	7830	10050	5760	7700	4470	7430	4320	9.23
-1.5m	kg			*13530	*13530	*18720	11640	*13940	7700	9950	5670			8000	4630	8.75
-3.0m	kg	*16330	*16330	*22040	*22040	*17310	11770	*13150	7740	10000	5720			9220	5320	7.95
-4.5m	kg			*19450	*19450	*14610	12100	*11040	7970					*9340	6850	6.74

6.52 m boom, 2.6 m arm equipped with 6539 kg counterweight and 600 mm triple grouser shoes

Lift-point height m		Lift-point radius												At max. Reach		
		1.5 m		3.0 m		4.5 m		6.0 m		7.5 m		9.0m		Capacity	Reach	
																m
7.5m	kg													*8980	7600	7.00
6.0m	kg							*9640	9590	*8920	6710			*8850	6060	7.95
4.5m	kg					*14090	13930	*10920	9110	*9420	6500			8810	5270	8.54
3.0m	kg							*12430	8560	*10150	6230			8210	4870	8.83
1.5m	kg							*13630	8120	10290	5990			8040	4730	8.86
0.0m	kg					*19170	11790	*14140	7880	10120	5830			8270	4830	8.63
-1.5m	kg					*18260	11830	*13880	7820	10070	5800			9030	5250	8.11
-3.0m	kg			*21150	*21150	*16410	12030	*12660	7930					*9990	6190	7.25
-4.5m	kg			*16510	*16510	*13010	12440							*9780	8510	5.88

- Lifting capacity is based on ISO 10567.
- Lifting capacity does not exceed 75% of tipping load with the machine on firm, level ground or 87% of full hydraulic capacity.
- The lift-point is where the bucket pivot mounting pin intersects with the arm (without bucket mass).
- (*) indicates load limited by hydraulic capacity.

HX360 L LIFTING CAPACITY

Rating over-front Rating over-side or 360 degrees

HX360 NL

6.52 m boom, 3.95 m arm equipped with 6539 kg counterweight and 600 mm triple grouser shoes

Lift-point height m		Lift-point radius												At max. Reach											
		1.5 m		3.0 m		4.5 m		6.0 m		7.5 m		9.0m		Capacity	Reach										
																m									
9.0m	kg															*6130	*6130	7.47							
7.5m	kg															*5700	5440	8.64							
6.0m	kg													*7270	6940	*7160	5040	*5530	4600	9.43					
4.5m	kg													*7980	6660	*7440	4920	*5550	4110	9.93					
3.0m	kg													*14120	13530	*10640	8850	*8910	6330	*7910	4740	*5720	3840	10.18	
1.5m	kg													*17100	12360	*12270	8250	*9830	5990	7810	4560	*6060	3730	10.21	
0.0m	kg													*18660	11710	*13400	7820	*13400	10030	5730	7650	4410	6540	3770	10.01
-1.5m	kg	*7970	*7970	*12230	*12230	*18660	11710	*18900	11470	*13840	7590	9850	5570	7560	4330	6940	3990	9.57							
-3.0m	kg	*13080	*13080	*18200	*18200	*18090	11490	*13510	7550	9820	5550					7780	4470	8.85							
-4.5m	kg	*19170	*19170	*22490	*22490	*16120	11720	*12170	7680	*9150	5690					*8560	5450	7.77							
-6.0m	kg			*16710	*16710	*12310	12200	*8780	8090							*8370	7820	6.16							

2-piece boom, 3.2 m arm equipped with 6539 kg counterweight and 600 mm triple grouser shoes

Lift-point height m		Lift-point radius												At max. Reach				
		1.5 m		3.0 m		4.5 m		6.0 m		7.5 m		9.0m		Capacity	Reach			
																m		
7.5m	kg															*9390	8360	6.61
6.0m	kg															*9240	6540	7.61
4.5m	kg							*13750	*13750	*10950	9230	*9620	6560			*9300	5640	8.23
3.0m	kg							*17050	13030	*12440	8710	*10300	6320			8720	5190	8.53
1.5m	kg							*19110	12260	*13680	8280	10390	6090			8540	5040	8.56
0.0m	kg							*19430	11990	*14270	8020	10220	5930			8810	5160	8.32
-1.5m	kg					*17760	*17760	*18600	12000	*14010	7950	10190	5910			9690	5640	7.78
-3.0m	kg					*21930	*21930	*16620	12200	*12630	8070					*10560	6760	6.87
-4.5m	kg					*16480	*16480	*12660	12650							*10260	9740	5.41

2-piece boom, 3.2 m arm equipped with 6539 kg counterweight and 600 mm triple grouser shoes

Lift-point height m		Lift-point radius												At max. Reach												
		1.5 m		3.0 m		4.5 m		6.0 m		7.5 m		9.0m		Capacity	Reach											
																m										
10.5m										*10700	*10700					*10190	*10190	4.60								
9.0m	kg															*10780	10010	6.69								
7.5m	kg															*10900	10040	*9610	6800	7.98						
6.0m	kg									*11740	*11740	*11440	9710	*9700	6710			*6990	4960	8.83						
4.5m	kg									*16090	14250	*12390	9150	*10200	6440	8070	4730	*6910	4380	9.36						
3.0m	kg									*18260	12780	*13360	8490	10550	6110	7910	4580	*7050	4070	9.63						
1.5m	kg									*18050	11740	*13860	7930	10200	5800	7730	4420	6950	3960	9.66						
0.0m	kg									*17860	11340	*13560	7580	9950	5570	7620	4320	7110	4040	9.44						
-1.5m	kg									*11570	*11570	*15660	11280	*12350	7440	*9630	5480			*6890	4340	8.97				
-3.0m	kg															*12410	11450	*10080	7500	*7540	5550			*5890	4980	8.20

- Lifting capacity is based on ISO 10567.
- Lifting capacity does not exceed 75% of tipping load with the machine on firm, level ground or 87% of full hydraulic capacity.
- The lift-point is where the bucket pivot mounting pin intersects with the arm (without bucket mass).
- (*) indicates load limited by hydraulic capacity.

HX360/HX400 L LIFTING CAPACITY

Rating over-front Rating over-side or 360 degrees

HX360 NL

6.52 m boom, 2.6 m arm equipped with 6539 kg counterweight and 600 mm triple grouser shoes

Lift-point height m		Lift-point radius										At max. Reach				
		1.5 m		3.0 m		4.5 m		6.0 m		7.5 m		9.0m		Capacity	Reach	
														kg	m	
9.0m	kg					*13740	*13740							*12390	10330	5.77
7.5m	kg					*13770	*13770	*11690	9830					*10720	7060	7.23
6.0m	kg					*15050	*15050	*12140	9530	*10340	6600			9560	5660	8.16
4.5m	kg							*12990	8980	*10690	6380			8420	4930	8.73
3.0m	kg							*13790	8370	10500	6080	7890	4580	7870	4560	9.02
1.5m	kg							*13990	7880	10200	5810	7780	4470	7710	4440	9.05
0.0m	kg							*13320	7620	10010	5640			7940	4540	8.82
-1.5m	kg					*14220	11490	*11710	7570	*9070	5610			*7330	4940	8.31
-3.0m	kg					*10590	*10590	*8910	7710					*6010	5820	7.47

6.52 m boom, 3.95 m arm equipped with 6539 kg counterweight and 600 mm triple grouser shoes

Lift-point height m		Lift-point radius										At max. Reach				
		1.5 m		3.0 m		4.5 m		6.0 m		7.5 m		9.0m		Capacity	Reach	
														kg	m	
10.5m	kg							*7280	*7280					*6870	*6870	6.08
9.0m	kg							*8830	*8830	*7140	6940			*5760	*5760	7.78
7.5m	kg							*8540	*8540	*8630	7050			*5250	5020	8.91
6.0m	kg							*8940	*8940	*9030	6890	*7630	4950	*5010	4250	9.67
4.5m	kg							*11600	*11600	*11260	9430	*9530	6580	*7790	4820	10.16
3.0m	kg							*17100	13360	*12710	8720	*10290	6210	7970	4620	10.41
1.5m	kg							*18630	12050	*13540	8050	10260	5840	7740	4420	10.43
0.0m	kg							*18490	11340	*13660	7580	9930	5550	7560	4260	10.23
-1.5m	kg					*10540	*10540	*16980	11100	*12930	7340	9740	5380	7470	4170	9.80
-3.0m	kg	*16330	*16330	*16610	*16610	*14320	11140	*11220	7300	*8670	5360	*5890	4240	*5580	4190	9.10
-4.5m	kg					*10350	*10350	*8250	7470	*5760	5530			*9340	6850	6.74

HX400 L

6.2 m boom, 2.6 m arm equipped with 6400 kg counterweight and 600 mm triple grouser shoes

Lift-point height m		Lift-point radius								At max. Reach						
		3.0 m		4.5 m		6.0 m		7.5 m		Capacity	Reach					
										kg	m					
7.5m	kg									*10930	10030	6.70				
6.0m	kg							*11450	*11450	*10820	8280	*10810	7960	7.67		
4.5m	kg							*16290	*16290	*12910	11380	*11310	8100	10710	6950	8.26
3.0m	kg							*20140	16420	*14670	10830	*12130	7850	10000	6460	8.54
1.5m	kg							*22400	15630	*16090	10380	11970	7610	9840	6320	8.55
0.0m	kg							*22680	15380	16590	10130	11800	7460	10210	6520	8.29
-1.5m	kg	*18670	*18670	*21630	15400	*16350	10070	11780	7440	11300	7160					7.73
-3.0m	kg	*25360	*25360	*19230	15620	*14630	10200			*12420	8650					6.79
-4.5m	kg					*14410	*14410			*12030	*12030					5.27

- Lifting capacity is based on ISO 10567.
- Lifting capacity does not exceed 75% of tipping load with the machine on firm, level ground or 87% of full hydraulic capacity.
- The lift-point is where the bucket pivot mounting pin intersects with the arm (without bucket mass).
- (*) indicates load limited by hydraulic capacity.

HX400 L LIFTING CAPACITY

Rating over-front Rating over-side or 360 degrees

HX400 L

6.2 m boom, 2.9 m arm equipped with 6400 kg counterweight and 600 mm triple grouser shoes

Lift-point height m		Lift-point radius								At max. Reach								
		3.0 m		4.5 m		6.0 m		7.5 m		Capacity	Reach							
										kg	m							
7.5m	kg									*9280	9280	7.05						
6.0m	kg									*10900	*10900	*10320	8330	*9040	7500	7.98		
4.5m	kg									*15410	*15410	*12400	11450	*10920	8130	*9170	6590	8.55
3.0m	kg									*19330	16590	*14230	10880	*11810	7850	9510	6140	8.82
1.5m	kg									*21970	15680	*15780	10390	11960	7590	9360	6010	8.83
0.0m	kg									*22660	15320	16560	10090	11760	7410	9680	6180	8.58
-1.5m	kg	*18010	*18010	*21920	15290	*16430	9990	11700	7360							10620	6730	8.03
-3.0m	kg	*26840	*26840	*19840	15470	*15050	10090									*12040	7990	7.13
-4.5m	kg	*20730	*20730	*15650	*15650											*11950	11210	5.71

6.5 m boom, 2.6 m arm equipped with 6400 kg counterweight and 600 mm triple grouser shoes

Lift-point height m		Lift-point radius								At max. Reach														
		3.0 m		4.5 m		6.0 m		7.5 m		Capacity	Reach													
										kg	m													
7.5m	kg													*10480	9140	7.08								
6.0m	kg													*11340	*11340	*10470	8260	*10380	7400	8.01				
4.5m	kg													*16730	*16730	*12900	11240	*11110	8040	10050	6510	8.57		
3.0m	kg															*14670	10660	*11970	7760	9420	6070	8.85		
1.5m	kg															*16030	10210	11860	7510	9280	5950	8.86		
0.0m	kg															*20850	15150	16410	9970	11690	7350	9590	6120	8.60
-1.5m	kg	*14890	*14890	*21260	15200	*16210	9920	11650	7320											10520	6670	8.06		
-3.0m	kg	*24540	*24540	*19040	15430	*14710	10040													*11780	7920	7.17		
-4.5m	kg	*18950	*18950	*14920	*14920															*11490	11080	5.75		

6.5 m boom, 2.9 m arm equipped with 6400 kg counterweight and 600 mm triple grouser shoes

Lift-point height m		Lift-point radius								At max. Reach																								
		3.0 m		4.5 m		6.0 m		7.5 m		9.0 m		Capacity	Reach																					
												kg	m																					
7.5m	kg																			*9630	8510	7.42												
6.0m	kg																				*10820	*10820	*10040	8300		*9440	6990	8.31						
4.5m	kg																					*15830	*15830	*12410	11310	*10750	8060		9550	6190	8.86			
3.0m	kg																					*19750	16200	*14250	10710	*11680	7760	9170	5910	8980	5790	9.12		
1.5m	kg																					*18770	15350	*15730	10220	11850	7490	9030	5780	8840	5660	9.13		
0.0m	kg																					*21780	15080	16380	9930	11650	7310			9110	5800	8.88		
-1.5m	kg	*14830	*14830	*21580	15080	16270	9840	11580	7250													*25310	*25310	*19620	15270	*15050	9930	*11440	7360			9920	6290	8.36
-3.0m	kg	*20740	*20740	*15960	15690	*11880	10270															*25310	*25310	*19620	15270	*15050	9930	*11440	7360			*11430	7350	7.50
-4.5m	kg	*20740	*20740	*15960	15690	*11880	10270															*20740	*20740	*15960	15690	*11880	10270					*11380	9900	6.17

- Lifting capacity is based on ISO 10567.
- Lifting capacity does not exceed 75% of tipping load with the machine on firm, level ground or 87% of full hydraulic capacity.
- The lift-point is where the bucket pivot mounting pin intersects with the arm (without bucket mass).
- (*) indicates load limited by hydraulic capacity.

HX400 L LIFTING CAPACITY

Rating over-front Rating over-side or 360 degrees

HX400 L

6.2 m boom, 2.9 m arm equipped with 6400 kg counterweight and 600 mm triple grouser shoes

Lift-point height m		Lift-point radius								At max. Reach		
		3.0 m		4.5 m		6.0 m		7.5 m		Capacity	Reach	
												m
7.5m	kg									*9280	9280	7.05
6.0m	kg					*10900	*10900	*10320	8330	*9040	7500	7.98
4.5m	kg			*15410	*15410	*12400	11450	*10920	8130	*9170	6590	8.55
3.0m	kg			*19330	16590	*14230	10880	*11810	7850	9510	6140	8.82
1.5m	kg			*21970	15680	*15780	10390	11960	7590	9360	6010	8.83
0.0m	kg			*22660	15320	16560	10090	11760	7410	9680	6180	8.58
-1.5m	kg	*18010	*18010	*21920	15290	*16430	9990	11700	7360	10620	6730	8.03
-3.0m	kg	*26840	*26840	*19840	15470	*15050	10090			*12040	7990	7.13
-4.5m	kg	*20730	*20730	*15650	*15650					*11950	11210	5.71

6.5 m boom, 2.6 m arm equipped with 6400 kg counterweight and 600 mm triple grouser shoes

Lift-point height m		Lift-point radius								At max. Reach		
		3.0 m		4.5 m		6.0 m		7.5 m		Capacity	Reach	
												m
7.5m	kg									*10480	9140	7.08
6.0m	kg					*11340	*11340	*10470	8260	*10380	7400	8.01
4.5m	kg			*16730	*16730	*12900	11240	*11110	8040	10050	6510	8.57
3.0m	kg					*14670	10660	*11970	7760	9420	6070	8.85
1.5m	kg					*16030	10210	11860	7510	9280	5950	8.86
0.0m	kg			*20850	15150	16410	9970	11690	7350	9590	6120	8.60
-1.5m	kg	*14890	*14890	*21260	15200	*16210	9920	11650	7320	10520	6670	8.06
-3.0m	kg	*24540	*24540	*19040	15430	*14710	10040			*11780	7920	7.17
-4.5m	kg	*18950	*18950	*14920	*14920					*11490	11080	5.75

6.5 m boom, 2.9 m arm equipped with 6400 kg counterweight and 600 mm triple grouser shoes

Lift-point height m		Lift-point radius								At max. Reach		
		3.0 m		4.5 m		7.5 m		9.0 m		Capacity	Reach	
												m
7.5m	kg									*9630	8510	7.42
6.0m	kg					*10820	*10820	*10040	8300	*9440	6990	8.31
4.5m	kg			*15830	*15830	*12410	11310	*10750	8060	9550	6190	8.86
3.0m	kg			*19750	16200	*14250	10710	*11680	7760	9170	5910	9.12
1.5m	kg			*18770	15350	*15730	10220	11850	7490	9030	5780	8.84
0.0m	kg			*21780	15080	16380	9930	11650	7310	9110	5800	8.88
-1.5m	kg	*14830	*14830	*21580	15080	16270	9840	11580	7250	9920	6290	8.36
-3.0m	kg	*25310	*25310	*19620	15270	*15050	9930	*11440	7360	*11430	7350	7.50
-4.5m	kg	*20740	*20740	*15960	15690	*11880	10270			*11380	9900	6.17

- Lifting capacity is based on ISO 10567.
- Lifting capacity does not exceed 75% of tipping load with the machine on firm, level ground or 87% of full hydraulic capacity.
- The lift-point is where the bucket pivot mounting pin intersects with the arm (without bucket mass).
- (*) indicates load limited by hydraulic capacity.

HX400 L LIFTING CAPACITY

Rating over-front Rating over-side or 360 degrees

HX400 L

6.5 m boom, 3.2 m arm equipped with 6400 kg counterweight and 600 mm triple grouser shoes

Lift-point height m		Lift-point radius										At max. Reach								
		1.5m		3.0 m		4.5 m		6.0 m		7.5 m		9.0 m		Capacity	Reach					
																m				
7.5m	kg													*9340	8440			*7790	*7790	7.80
6.0m	kg									*9610	8340							*7610	6560	8.65
4.5m	kg					*14940	*14940	*11900	11380	*10380	8090	*9100	6040	*7710	5850	9.18				
3.0m	kg					*18920	16390	*13800	10760	*11360	7770	9170	5900	*8040	5480	9.43				
1.5m	kg					*21330	15420	*15410	10230	11840	7480	9010	5750	8390	5360	9.44				
0.0m	kg					*21960	15040	*16300	9900	11610	7270	8900	5650	8620	5480	9.20				
-1.5m	kg			*14130	*14130	*21820	14980	16210	9780	11510	7180			9320	5900	8.70				
-3.0m	kg	*16900	*16900	*22790	*22790	*20120	15130	*15330	9830	11590	7250			10810	6810	7.88				
-4.5m	kg			*22400	*22400	*16860	15500	*12730	10100					*11020	8850	6.62				

6.5 m boom, 3.2 m arm equipped with 6400 kg counterweight and 800 mm triple grouser shoes

Lift-point height m		Lift-point radius										At max. Reach								
		1.5m		3.0 m		4.5 m		6.0 m		7.5 m		9.0 m		Capacity	Reach					
																m				
7.5m	kg													*9340	8630			*7790	*7790	7.80
6.0m	kg									*9610	8520							*7610	6710	8.65
4.5m	kg					*14940	*14940	*11900	11620	*10380	8270	*9100	6190	*7710	5990	9.18				
3.0m	kg					*18920	16750	*13800	11000	*11360	7950	9390	6040	*8040	5610	9.43				
1.5m	kg					*21330	15780	*15410	10470	12130	7660	9230	5900	8600	5500	9.44				
0.0m	kg					*21960	15400	*16300	10140	11900	7450	9120	5800	8840	5620	9.20				
-1.5m	kg			*14130	*14130	*21820	15340	*16320	10020	11800	7360			9550	6050	8.70				
-3.0m	kg	*16900	*16900	*22790	*22790	*20120	15490	*15330	10070	*11830	7430			*10960	6980	7.88				
-4.5m	kg			*22400	*22400	*16860	15860	*12730	10340					*11020	9060	6.62				

6.5 m boom, 3.95 m arm equipped with 6400 kg counterweight and 600 mm triple grouser shoes

Lift-point height m		Lift-point radius										At max. Reach								
		1.5 m		3.0 m		4.5 m		6.0 m		7.5 m		9.0 m		Capacity	Reach					
																m				
9.0m	kg													*6410	*6410			*6090	*6090	7.58
7.5m	kg																	*5680	*5680	8.71
6.0m	kg									*8560	8470	*7520	6220	*5530	*5530	9.48				
4.5m	kg									*10560	*10560	*9420	8180	*8780	6090	*5560	5110	9.96		
3.0m	kg					*16740	*16740	*12580	10920	*10520	7820	9180	5900	*5740	4810	10.19				
1.5m	kg					*20130	15630	*14460	10290	*11590	7460	8970	5700	*6090	4700	10.20				
0.0m	kg			*7890	*7890	*21840	14960	*15730	9840	11540	7190	8800	5550	*6670	4780	9.98				
-1.5m	kg	*8350	*8350	*12630	*12630	*22040	14730	16050	9620	11370	7030	8720	5470	*7610	5080	9.52				
-3.0m	kg	*13490	*13490	*18720	*18720	*21020	14760	*15750	9580	11350	7020			9080	5700	8.78				
-4.5m	kg	*19700	*19700	*25930	*25930	*18650	15030	*14110	9740	*10560	7190			*10110	6980	7.68				
-6.0m	kg			*19020	*19020	*14040	*14040	*9870	*9870					*9850	*9850	6.00				

- Lifting capacity is based on ISO 10567.
- Lifting capacity does not exceed 75% of tipping load with the machine on firm, level ground or 87% of full hydraulic capacity.
- The lift-point is where the bucket pivot mounting pin intersects with the arm (without bucket mass).
- (*) indicates load limited by hydraulic capacity.

HX400 L LIFTING CAPACITY

Rating over-front Rating over-side or 360 degrees

HX400 L

6.2 m boom, 2.6 m arm equipped with 6400 kg counterweight and 600 mm triple grouser shoes

Lift-point height m		Lift-point radius								At max. Reach		
		3.0 m		4.5 m		6.0 m		7.5 m		Capacity	Reach	
												m
7.5m	kg									*10940	8770	6.70
6.0m	kg					*11460	10340	*10830	7230	*10820	6960	7.67
4.5m	kg			*16310	15150	*12920	9890	*11320	7070	10700	6060	8.26
3.0m	kg			*20150	13950	*14680	9360	*12140	6820	9990	5610	8.54
1.5m	kg			*22420	13200	*16100	8930	11960	6590	9840	5480	8.55
0.0m	kg			*22690	12960	16570	8680	11790	6440	10200	5640	8.29
-1.5m	kg	*18680	*18680	*21640	12980	*16360	8620	11770	6420	11290	6190	7.73
-3.0m	kg	*25370	*25370	*19250	13190	*14640	8750			*12430	7460	6.79
-4.5m	kg			*14420	13670					*12040	10930	5.27

6.2 m boom, 2.9 m arm equipped with 6400 kg counterweight and 600 mm triple grouser shoes

Lift-point height m		Lift-point radius								At max. Reach		
		3.0 m		4.5 m		6.0 m		7.5 m		Capacity	Reach	
												m
7.5m	kg									*9290	8120	705
6.0m	kg					*10910	10410	*10330	7280	*9050	6550	798
4.5m	kg			*15420	15340	*12410	9950	*10930	7090	*9180	5740	8.55
3.0m	kg			*19340	14100	*14240	9400	*11820	6820	9510	5330	8.82
1.5m	kg			*21980	13250	*15790	8930	11950	6570	9360	5200	8.83
0.0m	kg			*22670	12910	16540	8640	11750	6400	9670	5340	8.58
-1.5m	kg	*18020	*18020	*21930	12870	16430	8550	11690	6340	10610	5810	8.03
-3.0m	kg	*26850	25630	*19850	13040	*15060	8640			*12050	6890	7.13
-4.5m	kg	*20740	*20740	*15660	13460					*11960	9620	5.71

6.5 m boom, 2.6 m arm equipped with 6400 kg counterweight and 600 mm triple grouser shoes

Lift-point height m		Lift-point radius								At max. Reach		
		3.0 m		4.5 m		6.0 m		7.5 m		Capacity	Reach	
												m
7.5m	kg									*10480	7990	708
6.0m	kg					*11340	10250	*10470	7210	*10380	6450	8.01
4.5m	kg			*16730	14820	*12900	9740	*11110	6990	10030	5660	8.57
3.0m	kg					*14670	9190	*11970	6720	9410	5260	8.85
1.5m	kg					*16030	8750	11840	6480	9260	5140	8.86
0.0m	kg			*20850	12740	16380	8520	11660	6320	9580	5280	8.60
-1.5m	kg	*14890	*14890	*21260	12790	*16210	8470	11630	6300	10500	5750	8.06
-3.0m	kg	*24540	*24540	*19040	13000	*14710	8590			*11780	6820	7.17
-4.5m	kg	*18950	*18950	*14920	13440					*11490	9500	5.75

- Lifting capacity is based on ISO 10567.
- Lifting capacity does not exceed 75% of tipping load with the machine on firm, level ground or 87% of full hydraulic capacity.
- The lift-point is where the bucket pivot mounting pin intersects with the arm (without bucket mass).
- (*) indicates load limited by hydraulic capacity.

HX400 NL LIFTING CAPACITY

Rating over-front Rating over-side or 360 degrees

HX400 NL

6.5 m boom, 2.9 m arm equipped with 6400 kg counterweight and 600 mm triple grouser shoes

Lift-point height m		Lift-point radius										At max. Reach			
		3.0 m		4.5 m		6.0 m		7.5 m		9.0 m		Capacity	Reach		
														m	
7.5m	kg												*9630	7440	7.42
6.0m	kg					*10820	10320	*10040	7250				*9440	6090	8.31
4.5m	kg			*15830	15030	*12410	9810	*10750	7010				9540	5380	8.86
3.0m	kg			*19750	13720	*14250	9230	*11680	6720	9150	5110		8970	5010	9.12
1.5m	kg			*18770	12920	*15730	8750	11830	6460	9010	4990		8830	4890	9.13
0.0m	kg			*21780	12660	16350	8480	11620	6280				9100	5000	8.88
-1.5m	kg	*14830	*14830	*21580	12670	16250	8390	11560	6220				9900	5410	8.36
-3.0m	kg	*25310	*25310	*19620	12850	*15050	8480	*11440	6330				*11430	6330	7.50
-4.5m	kg	*20740	*20740	*15960	13240	*11880	8800						*11380	8500	6.17

6.5 m boom, 3.2 m arm equipped with 6400 kg counterweight and 600 mm triple grouser shoes

Lift-point height m		Lift-point radius										At max. Reach						
		1.5 m		3.0 m		4.5 m		6.0 m		7.5 m		9.0 m		Capacity	Reach			
																m		
7.5m	kg												*9340	7380		*7790	6870	7.80
6.0m	kg									*9610	7290					*7610	5710	8.65
4.5m	kg					*14940	*14940	*11900	9880	*10380	7040	*9100	5240			*7710	5070	9.18
3.0m	kg					*18920	13900	*13800	9270	*11360	6730	9150	5100			*8040	4730	9.43
1.5m	kg					*21330	12990	*15410	8770	11820	6440	8990	4960			8370	4620	9.44
0.0m	kg					*21960	12620	*16300	8450	11590	6240	8880	4860			8600	4720	9.20
-1.5m	kg			*14130	*14130	*21820	12570	16180	8330	11490	6160					9300	5070	8.70
-3.0m	kg	*16900	*16900	*22790	*22790	*20120	12710	*15330	8380	11560	6220					10790	5850	7.88
-4.5m	kg			*22400	*22400	*16860	13060	*12730	8640							*11020	7600	6.62

6.5 m boom, 3.95 m arm equipped with 6400 kg counterweight and 600 mm triple grouser shoes

Lift-point height m		Lift-point radius										At max. Reach						
		1.5 m		3.0 m		4.5 m		6.0 m		7.5 m		9.0 m		Capacity	Reach			
																m		
9.0m	kg												*6410	*6410		*6090	*6090	7.58
7.5m	kg															*5680	*5680	8.71
6.0m	kg									*8560	7410	*7520	5410			*5530	4910	9.48
4.5m	kg									*10560	10090	*9420	7120	*8780	5280	*5560	4410	9.96
3.0m	kg					*16740	14350	*12580	9420	*10520	6770	9160	5100			*5740	4140	10.19
1.5m	kg					*20130	13170	*14460	8810	*11590	6430	8950	4910			*6090	4040	10.20
0.0m	kg			*7890	*7890	*21840	12540	*15730	8390	11520	6160	8780	4760			*6670	4090	9.98
-1.5m	kg	*8350	*8350	*12630	*12630	*22040	12320	16020	8170	11350	6010	8700	4680			*7610	4350	9.52
-3.0m	kg	*13490	*13490	*18720	*18720	*21020	12350	*15750	8130	11330	5990					9060	4890	8.78
-4.5m	kg	*19700	*19700	*25930	24870	*18650	12600	*14110	8290	*10560	6160					*10110	5990	7.68
-6.0m	kg			*19020	*19020	*14040	13130	*9870	8740							*9850	8740	6.00

- Lifting capacity is based on ISO 10567.
- Lifting capacity does not exceed 75% of tipping load with the machine on firm, level ground or 87% of full hydraulic capacity.
- The lift-point is where the bucket pivot mounting pin intersects with the arm (without bucket mass).
- (*) indicates load limited by hydraulic capacity.

HX360 L/HX400 L STANDARD/OPTIONAL EQUIPMENT

HYDRAULIC SYSTEM	HX360L STD/OPT	HX400L STD/OPT
FULL ELECTRO HYDRAULIC (FEH)		
Variable Power Control	•	•
Electric Pump Flow Control	•	•
Electric MCV with Electric Joystick	•	•
Attachment Mode Flow Control	•	•
Engine Auto Idle	•	•
Engine Auto Shutdown Control	•	•
Joystick Steering	•	•
CAB & INTERIOR	HX360L STD/OPT	HX400L STD/OPT
ISO STANDARD CABIN		
Cabin Light (2 Working Lamps, HAL)	□	□
Cabin Light (2 Working Lamps, LED)	•	•
Cabin Light (6 Working Lamps, LED)	□	□
Cabin Upper and Lower Guard	□	□
Cabin Lower Guard	□	□
Cabin Rain Shield	•	•
Pantograph Wipers	•	•
Radio / MP3 (Stereo)	•	•
DAB Audio (Handsfree & Bluetooth)	□	□
Electric Horn	•	•
Safety Glass - Tempered Glass	•	•
Safety Glass - Laminated Glass (front)	•	•
Sliding Fold-In Front Window	•	•
Sliding Side Window (LH)	•	•
Lockable Door	•	•
Hot & Cool Box	•	•
Storage Compartment	•	•
Comfort Package (Premium Seat included)	□	□
Multi Channel Speaker (4ea)	•	•
AUTOMATIC CLIMATE CONTROL		
Air Conditioner & Heater	•	•
Defroster	•	•
AUTOMATIC STARTING AID (AIR GRID HEATER) FOR WEATHER		
Starting Aid (Air Grid Heater) for Cold Weather	•	•
Engine Coolant Heater & Plug Heater (110V Plug Heater)	□	□
Engine Coolant Heater & Plug Heater (220V Plug Heater)	□	□
ADDITIONAL GAUGE PANEL (AGP)		
12" LCD Display	•	•
12" LCD Display dual (Foldable, 2ea)	□	□
Engine Speed or Trip Meter	•	•
Engine Coolant Temperature Gauge	•	•
Max Power / Low & High Speed / Engine Check indicator	•	•
Auto Idle	•	•
Overload Warning with alarm	•	•
Eco Gauge / Fuel Level / Hyd. Oil Temperature Gauge	•	•
Air Cleaner Clogging	•	•
Fuel Warmer	•	•
Warnings	•	•
Communication Error	•	•
Low Battery / Clock	•	•

CAB & INTERIOR (CONT)	HX360L STD/OPT	HX400L STD/OPT
SEAT		
Heating & Cooling Seat	□	□
Heating & Fabric	•	•
Premium Seat with Heating & Cooling	□	□
CABIN FOG (ISO 10262) LEVEL 2		
FOG (Falling Object Guard) Front & Top Guard	□	□
FOG (Falling Object Guard) Top Guard	□	□
CABIN ROPS (ISO 12117-2)		
ROPS (Roll Over Protective Structures)	•	•
SAFETY	HX360L STD/OPT	HX400L STD/OPT
Battery Master Switch	•	•
Right and Rear View Camera	•	•
Smart Around View Camera (SAVM)	□	□
Travel Alarm	•	•
Half-bar Beacon Lamp	•	•
Automatic Swing Brake	•	•
Boom Holding Valve	•	•
Arm Holding Valve	•	•
Overload Warning Device	•	•
NEW TECHNOLOGY	HX360L STD/OPT	HX400L STD/OPT
Machine Guidance (MG)	□	□
Machine Guidance (MG) with 2D MG Laser Receiver	□	□
Weighing system with Lift Assist	□	□
Weighing system with advanced Lift Assist Pro	□	□
Equipment Health Monitoring (EHM)	•	•
Around Radar	□	□
Digital Key	□	□
Intelligence Package	□	□

HX360 L/HX400 L STANDARD/OPTIONAL EQUIPMENT

OTHER	HX360L STD/OPT	HX400L STD/OPT
Microphone	□	□
Reversible Fan	□	□
Breaker Filter	□	□
Pre Cleaner - Oil washed	□	□
Fine Swing	□	□
Straight Travel	□	□
Hi MATE (Telematics)	•	•
Air Compressor	□	□
Auto Greasing System	□	□
Side Protector & Catwalk	□	□
Fuel Filler Pump	□	□
Heat Wire for Mirror	□	□
Shoe Case	□	□
White Noise Alarm	•	•
Double-Acting Piping with Pedal	•	•
Rotating Piping (PERO)	□	□
Quick Coupler	□	□
Quick Coupler Piping	•	•
Tool Kit	□	□
BOOMS		
6.5 m - HD (Heavy Duty)	•	•
6.5 m	□	□
6.2 m	□	□
2-piece boom	□	□
ARMS		
2.6 m	□	□
2.9 m	□	□
3.2 m	□	□
3.95 m	□	□
3.2 m - HD (Heavy Duty)	•	•
COUNTERWEIGHT		
6.0 ton	•	□
6.4 ton	□	•
6.5 ton	□	□
7.2 ton	□	□
8.0 ton	□	□

UNDERCARRIAGE	HX360L STD/OPT	HX400L STD/OPT
Automatic Lubrication	•	•
Heavy Duty Under Cover	•	•
TRACK SHOES		
600 mm Triple Grouser Shoe	•	•
600 mm Double Grouser Shoe	□	□
700 mm Triple Grouser Shoe	□	□
800 mm Triple Grouser Shoe	□	□
900 mm Triple Grouser Shoe	□	□
TRACK GUARD		
Normal Track Guard	•	•
Full Track Guard	□	□

- Standard
- Optional

* Standard and optional equipment may vary. Contact your Hyundai dealer for more information. The machine may vary according to International standards.

* The photos may include attachments and optional equipment that are not available in your area.

* Materials and specifications are subject to change without advance notice.



HYUNDAI



In Europe, Hyundai is operated and managed by:

HD Construction Equipment Hyundai Europe, Hyundailaan 4,
3980 Tessenderlo-Ham, Belgium T +32 14 56 22 00 E info@hyundai.eu
www.hyundai-ce.eu VAT BE0454495082

The information and data contained in this brochure is the property of Hyundai Construction equipment and has been compiled with the utmost care. Specifications and designs are subject to change at any time without notice. As general data, images and descriptions have been used in the brochure, Hyundai products may be fitted with non-standard equipment. The publication of this brochure cannot be regarded as an offer or proposal to contract and is intended for European markets only.



Scan to find out more
about this product.

READY TO CHANGE YOUR WORLD?

Contact your Hyundai dealer.
hyundai-ce.eu/en/dealer-locator